

PRESIDENT

GEORGE II

AM / FM / SSB

12 V

SIMPLY THE BEST



Non-contractual photo

FEATURES

- Automatic SWR
- NRC / ANL / NB / Hi-Cut
- Scan / Scan Skip
- 2 Emergency programmable channels (9 & 19)
- Vox (Hands-free function)
- CTCSS / DCS
- PA (Public Address)
- Talkback / Noise Gate
- Dual Watch / Lock
- RF Power / RF Gain / Mic Gain
- Monitor / Echo / Clarifier

- Supplied accessories:
 - 1 Electret UP/DOWN microphone
 - 1 Support
 - 1 Mounting cradle
 - Screws and fused power cord

Art. N° TXPR900



3 4 3 5 9 9 1 1 0 3 1 4 5



*See warranty conditions on our website

Groupe PRESIDENT ELECTRONICS 2221/08-23 - C0476

PRESIDENT
ELECTRONICS
— since 1978

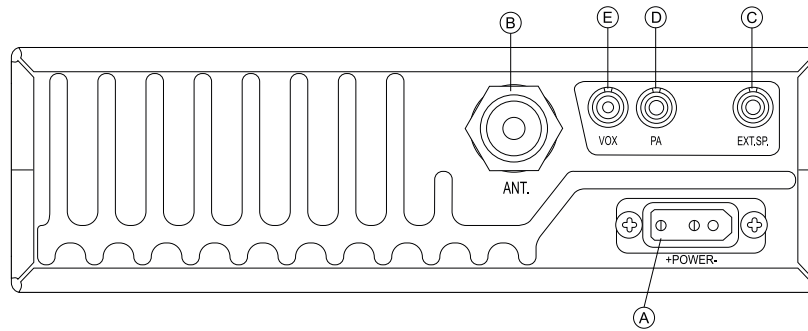
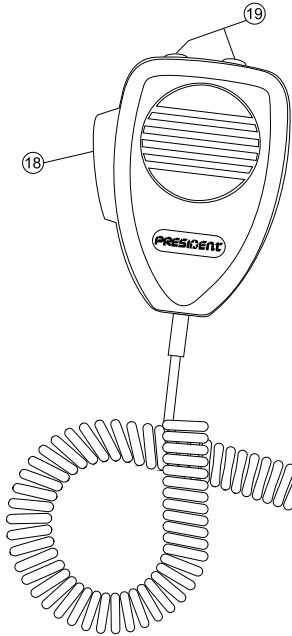
S.A. Capital 10.000.000 €
Siège Social / Head Office – France – Route de Sète
BP 100 – 34540 BALARUC
Site : <http://www.president-electronics.com>
e-mail : groupe@president-electronics.com



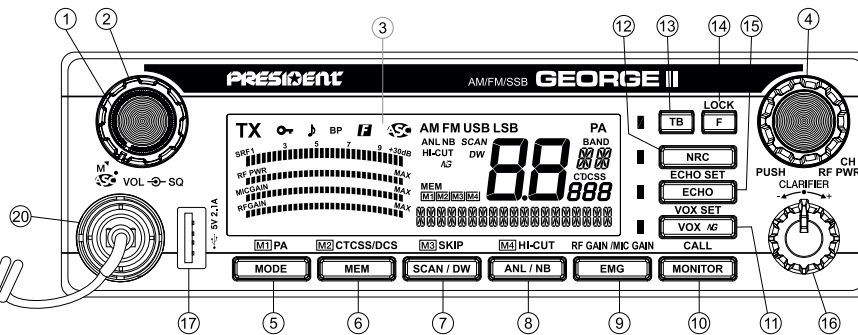
GEORGE II

Functions

14 + 7	DUAL WATCH
14 + 11	Noise Gate
14 + 12	REPEATER/RELAY*
18 + 4	RF POWER
18 + 9	MIC GAIN
18 + 10	CALL



- A) DC-POWER TERMINAL (13,2 V)
- B) ANTENNA CONNECTOR (SO-239)
- C) EXTERNAL SPEAKER JACK (8 Ω, Ø 3,5 mm)
- D) PA (Public Address) SPEAKER JACK (8 Ω, Ø 3,5 mm)
- E) JACK FOR OPTIONAL VOX MIKE (Ø 2,5 mm)



- 1) ON/OFF ~ VOLUME
- 2) ASC (Automatic Squelch Control) ~ SQUELCH
- 3) DISPLAY
- 4) CHANNEL SELECTOR ~ RF POWER
- 5) MODE ~ PA
- 6) MEMORY ~ CTCSS/DCS
- 7) SCAN / DW ~ SCAN SKIP
- 8) ANL / NB ~ HI-CUT
- 9) EMG ~ RF GAIN / MIC GAIN
- 10) MONITOR
- 11) VOX / NOISE GATE ~ VOX SET
- 12) NRC / RELAY
- 13) TALKBACK
- 14) F ~ LOCK
- 15) ECHO ~ ECHO SET
- 16) CLARIFIER
- 17) USB CHARGING PLUG
- 18) PTT (Push To Talk) ~ TOT (Time Out Timer)
- 19) CHANNEL SELECTOR
- 20) 6-PIN MICROPHONE PLUG

1) GENERAL

- Channels : 40
- Modulation modes : AM/FM/USB/LSB
- Frequency range : 26.965 MHz to 27.405 MHz
- Antenna impedance : 50 ohms
- Power supply : 13.2 V
- Dimensions (mm) : 185 (W) x 172 (D) x 56 (H)
- Weight : 1.190 kg
- Supplied accessories : Electret UP/DOWN microphone with support, mounting cradle, screws and fused power cord.

2) TRANSMISSION

- Frequency allowance : ± 200 Hz
- Carrier power : 4 W (AM/FM)
12 W PEP (USB/LSB)
- Transmission interference : < 4 nW (-54 dBm)
- Audio response : 300 Hz to 3 KHz
- Emitted power in the adj. channel : < 20 μW
- Microphone sensitivity : 3.0 mV
- Max. drain : < 5 A (13.2 V)
- Modul. signal distortion : 2 %

3) RECEPTION

- Max. sensitivity at 20 dB sinad : 0.5 μV - 113 dBm (AM)
0.35 μV - 116 dBm (FM)
0.28 μV - 118 dBm (USB/LSB)
- Frequency response : 300 Hz to 3 kHz
- Adj. channel selectivity : 60 dB
- Max. audio power : 3 W
- Squelch sensitivity : min. 0.2 μV - 120 dBm
max. 1 mV - 47 dBm
- Frequency image rejection rate : 60 dB
- Intermediate frequency rejection rate : 70 dB
- Max. drain : 200 ~ 600 mA

Specifications



All European standards

