

PRESIDENT

JFK III

AM / FM

12 / 24 V

**SIMPLY
FLASHING**



Non-contractual photo

FEATURES

Art. N° TXPR618



3 143599 112809 4



- Flashing Speaker (dynamic lighting RX/TX)
 - Microphone Up/Down activation/deactivation
 - USB type-A
 - 5 Memories
 - 2 Emergency programmable channels (EMG)
 - Scan / Scan Skip / SWR / DW / Lock
 - ANL / NB / Hi-Cut / NRC / NG / TB / PA
 - Vox (Hands-free function)
 - 7 Color display
 - PA (Public Address)
 - ...
- Supplied accessories:
 - 1 UP/DOWN microphone
 - 1 Support
 - 1 Mounting cradle
 - Screws and fused power cord
 - 1 Din rack



VOX built in

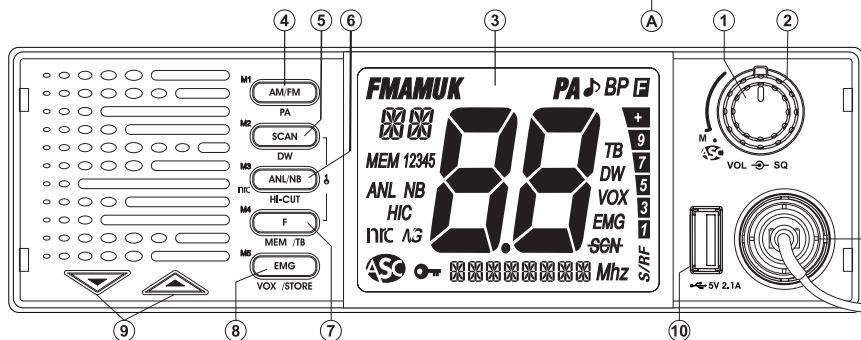
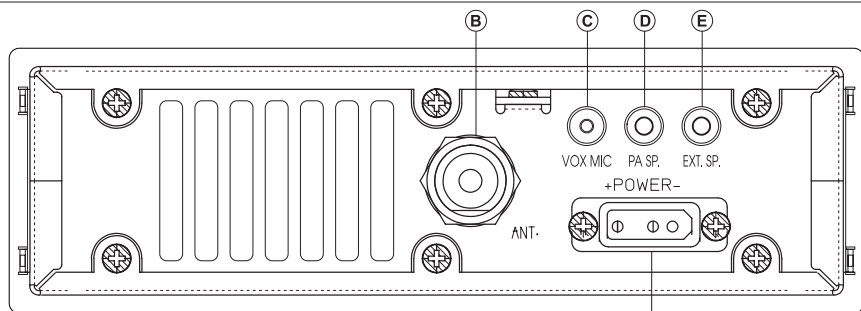


Groupe **PRESIDENT** ELECTRONICS since 1978
2332/04-25 - C0521
S.A. Capital 10.000.000 €
Siège Social / Head Office – France – Route de Sète
BP 100 – 34540 BALARUC
Site : <http://www.president-electronics.com>
e-mail : groupe@president-electronics.com



JFK III

Functions



6+7	NRC
5+7	LOCK
12+4	PA FUNCTION ON/OFF
12+7	TALKBACK FUNCTION ON/OFF
12+9	TALKBACK LEVEL
12+8	NOISE GATE

- 1) ON/OFF ~ VOLUME
- 2) ASC (Automatic Squelch Control) ~ SQUELCH
- 3) DISPLAY
- 4) AM/FM ~ PA ~ M1
- 5) SCAN ~ DW ~ M2 ~ LOCK
- 6) ANL/NB ~ HI-CUT ~ NRC ~ M3
- 7) F ~ MENU ~ MEM ~ SCAN SKIP ~ TALKBACK ~ M4 ~ LOCK
- 8) EMG ~ EMG SET ~ STORE ~ VOX ~ NOISE GATE ~ M5
- 9) CHANNEL SELECTOR
- 10) USB CHARGING PLUG
- 11) 6-PIN MICROPHONE PLUG
- 12) PTT (Push To Talk)
- 13) MICROPHONE UP/DN

- A) DC-POWER TERMINAL
(13,2 V / 26,4 V)
- B) ANTENNA CONNECTOR (SO-239)
- C) JACK FOR OPTIONAL VOX MIKE
(Ø 2,5 mm)
- D) PA (Public Address) SPEAKER JACK
(8 Ω, Ø 3,5 mm)
- E) EXTERNAL SPEAKER JACK
(8 Ω, Ø 3,5 mm)

1) GENERAL

- Modulation modes : AM / FM
- Frequency range : 26.965 MHz to 27.405 Mhz
- Antenna impedance : 50 ohms
- Power supply : 13.2 V / 26.4 V
- Dimensions (mm) : 177 (W) x 158 (D) x 50 (H)
- Weight : 1.1 kg
- Supplied accessories : Electret UP/DOWN microphone with support, mounting cradle, screws and fused power cord, din rack.

2) TRANSMISSION

- Frequency allowance : ± 200 Hz
- Carrier power : 4 W (AM / FM)
- Transmission interference : < 4 nW (-54 dBm)
- Audio response : 300 Hz to 3 KHz
- Emitted power in the adj. channel : < 20 µW
- Microphone sensitivity : 3.0 mV
- Max. drain : < 2.5 A max. with modulation (13.2 V)
< 1.3 A max. with modulation (26.4 V)
- Modul. signal distortion : 2 %

3) RECEPTION

- Max. sensitivity at 20 dB sinad : 0.5 µV - 113 dBm (AM)
0.35 µV - 116 dBm (FM)
- Frequency response : 300 Hz to 3 kHz
- Adj. channel selectivity : 60 dB
- Max. audio power : 3 W
- Squelch sensitivity : min. 0.2 µV - 120 dBm
max. 1 mV - 47 dBm
- Frequency image rejection rate : 60 dB
- Intermediate frequency rejection rate : 70 dB
- Max. drain : 250 ~ 500 mA max. (13.2 V)
150 ~ 250 mA max. (26.4 V)

Specifications

